



D 250 AHGA



www.ausa.com

**AUSA Center, S.L.** ● Ctra. de Vic, Km 2.8 - P.O.B. 194. 08243 Manresa - BARCELONA (ESPAÑA) Tel.: +34 93 874 73 11 - E-mail: ausa@ausa.com

ISO 9001

ISO 14001



(Sede central AUSA-Manresa)

**AUSA Madrid** ● Pol. Ind. Coslada - C. Marconi 15-17. 28823 Coslada - MADRID (ESPAÑA) Tel.: +34 91 669 00 06 - E-mail: ausa.madrid@ausa.com

**AUSA France** ● Z. I. Saint Charles - Rue de Zürich, 66000 PERPIGNAN (FRANCE) Tel.: +33 (0) 4 68 54 38 97 - E-mail: ausa.france@ausa.com

**AUSA Deutschland** ● Heinrich - Welken Str. 5. 59069 HAMM (GERMANY) Tel.: +49 (0) 2384-9889905 - E-mail: ausa.deutschland@ausa.com

**BEIJING Rep. Office** ● Address Room 527. HengXiang Building, Tuanjiehu Nanli, Chaoyang District. - BEIJING 100026 (CHINA)

Tel.: 86-10-8597 1983 - Fax: 86-10-8597 1993 - E-mail: ausa.china@ausa.com

**AUSA UK** ● Tel.: 07970639988 - E-mail: ausa.uk@ausa.com

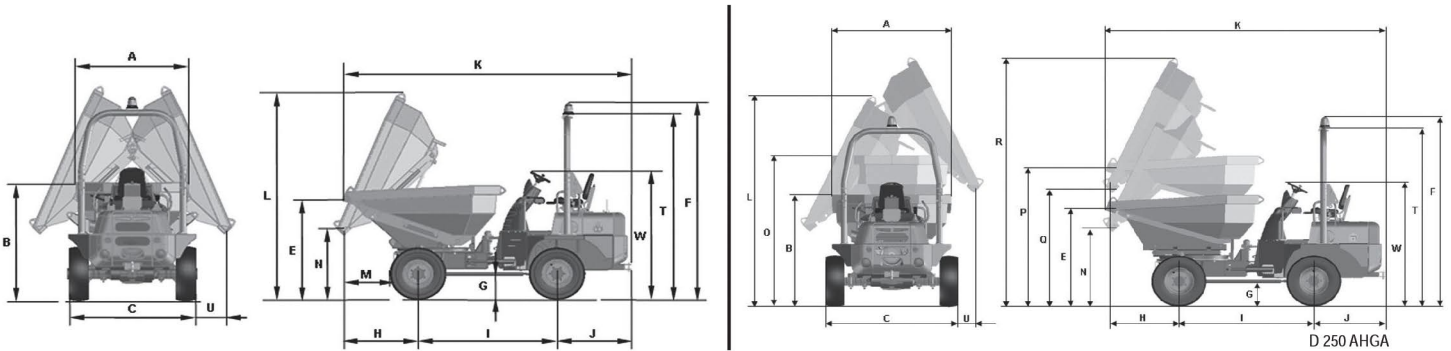




**D 250 AHGA\_2500 Kg**



DIMENSIONS (mm)		D 250 AHGA
A		1695
B		1700
C		1875
E		1540
F		2924
G		363
H		980
I		1920
J		995
K		4000
L		3230
M		590
N		1250
T		2705
U		250
W		1909
O		2300
P		2140
Q		1850
R		3830



**TECHNICAL SPECIFICATIONS**

		D 250 AHGA
<b>Load capacity (Kg)</b>		2500
<b>Unloading system</b>		Hydraulic tipping
<b>Chassis</b>		Articulated and oscilating
<b>Hopper capacities (l)</b>	Water	817
	Levelled	1246
	Heaped	2063
<b>Engine</b>	Diesel	Kubota V2403M
	Power acc./SAE J 1995 (KW/HP)	36.5 / 49.6
	N° of Cylinders	4
	Cooling system	Water
<b>Traction</b>		4 x 4 permanent
<b>Transmission</b>		2-speed hydrostatic. Front-reverse direction electro-hydraulic operated. Axles with planetary reduction on differential output
<b>Engine starting system</b>		Electric
<b>Speed (max.) (km/h)</b>		20
<b>Unladen weight (Kg)</b>		2960
<b>Gradient negotiable (with full load)</b>		70 %
<b>Hydraulic circuit</b>		Gear pump of 12 cc. Working pressure 180 bar
<b>Tyres</b>	Front	10,0/75-15.3
	Rear	10,0/75-15.3
<b>External turning circle</b>		4330
<b>Steering</b>		Hydraulic Working pressure 110 bar
<b>Tank capacity (l)</b>	Fuel	44
	Hydraulic fluid	40
<b>Service brake</b>		Oil-immersed, multidisc, hydraulically operated
<b>Parking brake</b>		Oil-immersed, multidisc, mechanically operated
<b>STANDARD EQUIPMENT</b>		Foldable ROPS arch Anti vandal system Ergonomic seat with safety belt Rotating beacon Audible reverse warning
<b>OPTIONAL EQUIPMENT</b>		Lighting equipment Towing hitch Electronic antitheft protection system